



Vestil Manufacturing Corp.
 2999 North Wayne Street, P.O. Box 507, Angola, IN 46703
 Telephone: (260) 665-7586 -or- Toll Free (800) 348-0868
 Fax: (260) 665-1339
 Web: www.vestilmfg.com e-mail: info@vestil.com

SPS-HD Stock Picker Carts Instruction Manual



Receiving Instructions

After delivery, remove the packaging from the product. Inspect the product closely to determine whether it sustained damage during transport. If damage is discovered, record a complete description of it on the bill of lading. If the product is undamaged, discard the packaging.

NOTE: The end-user is solely responsible for confirming that product design, use, and maintenance comply with laws, regulations, codes, and mandatory standards applied where the product is used.

Technical Service & Replacement Parts

For answers to questions not addressed in these instructions and to order replacement parts, labels, and accessories, call our Technical Service and Parts Department at (260) 665-7586. The department can also be contacted online at http://www.vestilmfg.com/parts_info.htm.

Electronic copies of Instruction Manuals

Additional copies of this instruction manual may be downloaded from <https://www.vestil.com/page-manuals.php>.

Table of Contents

Signal Words.....	2
Safety Instructions.....	2
Exploded View and Bill of Materials.....	3
Record of Satisfactory Condition.....	3
Using the Cart.....	3 - 4
Inspections & Maintenance.....	4
Labeling Diagram.....	4
Specifications.....	5
Limited Warranty.....	6

SIGNAL WORDS

This manual uses SIGNAL WORDS to draw attention to uses of the product that could result in personal injuries, as well as the probable seriousness of those injuries. Other signal words call attention to uses likely to cause property damage. Signal words used in this manual appear below along with the definition of each word.



Identifies a hazardous situation which, if not avoided, WILL result in DEATH or SERIOUS INJURY. Use of this signal word is limited to the most extreme situations.



Identifies a hazardous situation which, if not avoided, COULD result in DEATH or SERIOUS INJURY.



Indicates a hazardous situation which, if not avoided, COULD result in MINOR or MODERATE injury.



Identifies practices likely to result in product/property damage, such as operation that might damage the product.

SAFETY INSTRUCTIONS

Vestil strives to identify foreseeable hazards associated with the use of its products. However, no manual can address every conceivable risk. The most effective way to avoid injury is to exercise sound judgment when assembling, using, inspecting, and maintaining this cart. **Anyone who uses this cart must be made aware that a copy of the manual is available and where to find it.**



Improper or careless use might result in serious personal injuries or death.

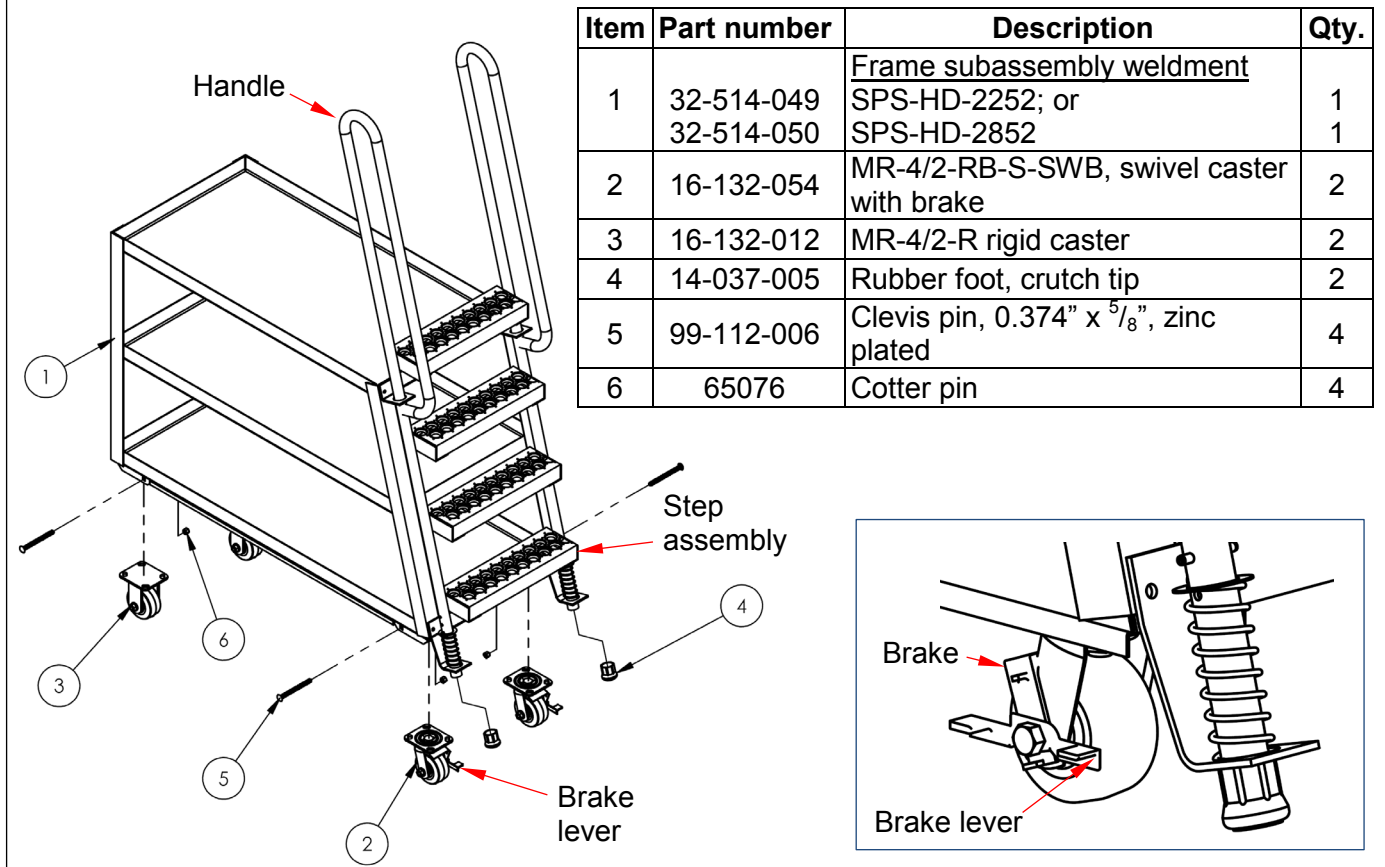
- **Read and understand the entire manual before assembling, installing, using or servicing the product.**
- Read the manual to refresh your understanding of proper use and maintenance procedures.
- DO NOT exceed the capacity. Capacity figures are provided on label 446, which is shown in [LABELING DIAGRAM](#) on p. 4.
 - Overall capacity of the cart is 1000 pounds (454.5kg).
 - Each shelf has a capacity of 500 pounds (227kg).
 - The capacity of the step assembly is 350 pounds (159kg).
- All items loaded on the cart must fit within the shelves. Loads must not hang over the shelves. Only use the cart to transport stable, evenly distributed, non-hazardous loads.
- Use this cart ONLY on even, level surfaces.
- BEFORE climbing the steps, lock the swivel casters (item 3 in [EXPLODED VIEW](#) on p. 3).
- DO NOT modify the product in any way UNLESS you first obtain written approval from Vestil. Unauthorized modifications automatically void the Limited Warranty and might make the product unsafe to use.
- DO NOT use this device UNLESS all product labels identified in the [LABELING DIAGRAM](#) are readable and undamaged.
- Inspect the product before each use. Do not use it unless it is in [SATISFACTORY CONDITION](#). See [RECORD OF SATISFACTORY CONDITION](#) and [INSPECTIONS & MAINTENANCE](#) on p. 3 and 4.
- Always properly load the cart:
 - If the load might roll or slide off of the deck, strap it to the deck before moving the cart.
 - Evenly distribute weight on the shelves. DO NOT concentrate loads along the sides of the shelves.
 - Load the bottom shelf first; then load the top shelf. Label 446 in the [LABELING DIAGRAM](#) indicates the capacity per shelf as well as the total capacity of the cart.



Proper maintenance and storage are essential for this product to function properly.

- Apply the [INSPECTION AND MAINTENANCE](#) instructions on p. 4 of this manual.
- Keep the product clean & dry. Always store it inside.

EXPLODED VIEW AND BILL OF MATERIALS



RECORD OF SATISFACTORY CONDITION (THE "RECORD")

After assembling the ladder and before putting it into service, visually inspect the cart. Record the condition and appearance of each of the frame members (steps, shelves, handles), casters, rubber feet, springs, and all fasteners (bolts, nuts, etc.). Apply both caster brakes. Step on the bottom step. Describe how the handles react, i.e. slide through the handle brackets until rubber feet contact the floor. Handles should slide freely through the handle brackets. Describe sounds heard as the handles slide. Step off of the bottom step. Describe how the springs recoil and lift the handles. Thoroughly photograph the cart from multiple angles. Include close range photographs of the rubber feet, casters and caster fasteners, labeling, welds that connect steps to handles, handles and handle brackets. Add the photographs to the record. Collate all photographs and writings into a single file. This file is a record of the cart in satisfactory condition. Compare the results of all inspections to this RECORD to determine whether the cart is in satisfactory condition. Do not use the cart unless it is in satisfactory condition. Purely cosmetic changes, like damaged paint or powdercoat, are not changes from satisfactory condition. However, touchup paint should be applied as soon as damage occurs.

USING THE CART

Review the [SAFETY INSTRUCTIONS](#) on p. 2 before using the cart. Inspect the cart before each use for damage, such as unusual wear, deterioration, or rusting/corrosion. Tighten loose nuts. If a lock nut has been partially or completely unfastened, it must be replaced with a new lock nut. **Make sure there are no children in the area where the ladder is used or stored.**

ONLY use the cart on even, level, improved surfaces (concrete or asphalt). Never use the cart on angled surfaces. Only climb the steps if they are clean and dry.

Items should fit entirely within the shelves without hanging over the sides. Center and evenly distribute items on the shelves. Load the cart from the bottom up, i.e. put items on the lowest shelf first, then on the shelf above it, etc.

ALWAYS lock both swiveling casters (under the bottom step) before climbing the steps. Lock each caster by pressing down on the brake lever. The brake should press firmly against the surface of the caster. The capacity of the step assembly is 350 pounds (159kg).

⚠️WARNING Improper use could result in serious personal injuries.

- Do not stand on the top shelf.
- The capacity (in pounds) per shelf is 500 lb. (227kg). Overall capacity of the cart is 1000 lb. (454.5kg).
- The capacity of the step assembly is 350 lb. (159kg).
- Each cart received label 446, which includes the capacity of the cart. See *LABELING DIAGRAM* on p. 4. The capacity figure provided on label 446 indicates the **net capacity** of the cart, i.e. the weight of all ancillary equipment (such as tools) added to the cart must be added to the weight of the load. The total weight must be less than or equal to the rated capacity of the cart: $\text{Weight of load} + \text{weight of ancillary equipment} = (\text{or less than}) \text{Capacity}$

INSPECTIONS & MAINTENANCE

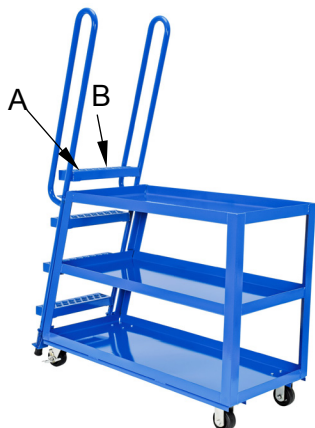
Inspections and all necessary repairs should be performed by qualified persons. Compare the results of each inspection to the *RECORD OF SATISFACTORY CONDITION*. Do not use the cart unless every part is in satisfactory condition. If you have any questions about the condition of your cart, contact the *TECHNICAL SERVICE* department. The phone number is provided on the cover page of this manual. Never make temporary repairs of damaged or missing parts. Only use manufacturer-approved replacement parts to restore the ladder to satisfactory condition.

At least once per month inspect the following:

- 1.) Frame and shelves – Look for damage and deformation, severe corrosion, etc. Check all welds for cracks. Push the unloaded cart and listen for unusual noises and movement. Clean the shelves and steps. Absorb water and other liquids.
- 2.) Step assembly – Confirm that the steps and springs operate normally. Both rubber feet should firmly contact the ground and the steps should slide up-and-down easily when weight is applied to them.
- 3.) Hardware – check all caster hardware/fasteners and spring pins. Tighten all loose fasteners.
- 4.) Labels – confirm that each label is in place and in good condition (see “Labeling Diagram” below).

LABELING DIAGRAM

Each unit should be labeled as shown in the diagram. Label content and location are subject to change so your product might not be labeled exactly as shown. Compare the diagram below to your *RECORD OF SATISFACTORY CONDITION*. If there are any differences between actual labeling and this diagram, contact *TECHNICAL SERVICE*. Replace all labels that are damaged, missing, or not easily readable (e.g. faded). To order replacement labels or to inquire whether your unit is properly labeled, contact the technical service and parts department online at http://www.vestilmfg.com/parts_info.htm or by calling (260) 665-7586 and asking for the Parts Department.



A: Label 446 (applied to front edge of top step)

MODEL/MODÉLO/MODELE	SERIAL/SERIE/SÉRIE
CAPACITY PER SHELF/CAPACIDAD DEL ES-TANTE/CAPACITÉ D'ÉTAGERE	TOTAL CAPACITY/TOTAL CAPACIDAD/TOTALE CAPACITÉ
	446

B: Label 608 (applied to front edge of top step)

⚠️ WARNING	⚠️ ADVERTENCIA
DO NOT load beyond rated capacity PLACE heavier items on bottom shelf if applicable DISTRIBUTE load evenly. DO NOT sit or ride on cart SECURE stable load before moving	No cargue MAS de la capacidad tasada Ponga los objetos mas pesados en la estanteria de abajo DISTRIBUYA LA CARGA A NIVEL. NO SE SIENTE o vaya en el carro ASEGURE la carga antes de mover
	608 rev 0911

SPECIFICATIONS

Documents that provide specifications for SPS series mobile ladder stands are available online to anyone who visits the Vestil website. Specifications include dimensions, net weight, and capacity information. Acquire the appropriate specifications document by opening this webpage: <https://www.vestil.com/product.php?FID=925>. Click the "Specifications" tab. Scroll the page to the entry for the product you purchased. Click the button in the "PDF" column that looks like a pencil inside a blue-bordered box. A PDF file will open. This file is the specifications document. Print a copy of the document as soon as your ladder is delivered and keep it with your copy of this manual. If you encounter difficulties while trying to obtain a copy of the specifications document, contact **TECHNICAL SERVICE**. Contact information is provided on the cover page of this manual.

The following is an exemplar specifications document for model SPS-HD-2252 carts.

HI-DUTY STOCK PICKER TRUCK - SPS-HD-2252

APPROX WEIGHT: 184.81 lbs.
DOES NOT INCLUDE WEIGHT OF POWER OR PACKAGING!!!

*** ANY ADDITIONS, DELETIONS, OR OMISSIONS MUST BE CORRECTED ON THIS DRAWING AS THIS DRAWING WILL BE CONSIDERED ALL INCLUSIVE ***
ALL GRAPHICS PROVIDED ARE FOR REFERENCE ONLY. IF CERTAIN DIMENSIONS ARE CRITICAL PLEASE VERIFY THOSE DIMENSIONS WITH YOUR SALESPERSON

STANDARD FEATURES

MODEL NUMBER IS SPS-HD-2252
 MAX CAPACITY PER SHELF IS 500 LBS.
 MAX CAPACITY TOTAL IS 1,000 LBS.
 OVERALL WIDTH IS 21 7/8"
 USABLE WIDTH IS 21 1/2"
 OVERALL LENGTH IS 56 1/8"
 OVERALL HEIGHT IS 73 7/16"
 TOP SHELF SIZE (USABLE) IS 21 1/2" X 42 3/4"
 MIDDLE SHELF SIZE (USABLE) IS 21 1/2" X 46 3/4"
 BOTTOM SHELF SIZE (USABLE) 21 1/2" X 50 3/4"
 SHELF CLEARANCE IS 13"
 (2) 4"X2" MOLD-ON RUBBER RIGID CASTER
 (2) 4"X2" MOLD-ON RUBBER SWIVEL CASTER WITH BRAKE

SPECIAL FEATURES

NONE

DIMENSION TOLERANCE ± 1/4"

A P P R O V A L	I, THE UNDERSIGNED, AGREE THAT THE PRODUCT AS REPRESENTED SATISFIES DESIGN AND DIMENSION REQUIREMENTS. I ALSO ACKNOWLEDGE MY DUTY TO CONFIRM PRODUCT AND INSTALLATION COMPLIANCE WITH ALL APPLICABLE FEDERAL, STATE AND LOCAL REGULATIONS AND STANDARDS.	
	ANY MODIFIED UNITS ARE NON-RETURNABLE	
	[] As drawn [] As marked	
	Signed: _____	Date: _____
Printed Name: _____		
LEAD TIME WILL START UPON RECEIPT OF SIGNED APPROVAL DRAWING		

LIMITED WARRANTY

Vestil Manufacturing Corporation (“Vestil”) warrants this product to be free of defects in material and workmanship during the warranty period. Our warranty obligation is to provide a replacement for a defective, original part covered by the warranty after we receive a proper request from the Warrantee (you) for warranty service.

Who may request service?

Only a warrantee may request service. You are a warrantee if you purchased the product from Vestil or from an authorized distributor AND Vestil has been fully paid.

Definition of “original part”?

An original part is a part used to make the product as shipped to the Warrantee.

What is a “proper request”?

A request for warranty service is proper if Vestil receives: 1) a photocopy of the Customer Invoice that displays the shipping date; AND 2) a written request for warranty service including your name and phone number. Send requests by one of the following methods:

<u>US Mail</u>	<u>Fax</u>	<u>Email</u>
Vestil Manufacturing Corporation 2999 North Wayne Street, PO Box 507 Angola, IN 46703	(260) 665-1339 <u>Phone</u> (260) 665-7586	info@vestil.com Enter “Warranty service request” in the subject field.

In the written request, list the parts believed to be defective and include the address where replacements should be delivered. After Vestil receives your request for warranty service, an authorized representative will contact you to determine whether your claim is covered by the warranty. Before providing warranty service, Vestil will require you to send the entire product, or just the defective part (or parts), to its facility in Angola, IN.

What is covered under the warranty?

The warranty covers defects in the following original, dynamic parts: motors, hydraulic pumps, motor controllers, and cylinders. It also covers defects in original parts that wear under normal usage conditions (“wearing parts”), such as bearings, hoses, wheels, seals, brushes, and batteries.

How long is the warranty period?

The warranty period for original dynamic components is 1 year. For wearing parts, the warranty period is 90 days. Both warranty periods begin on the date Vestil ships the product to the Warrantee. If the product was purchased from an authorized distributor, the periods begin when the distributor ships the product. Vestil may, at its sole discretion, extend a warranty period for products shipped from authorized distributors by up to 30 days to account for shipping time.

If a defective part is covered by the warranty, what will Vestil do to correct the problem?

Vestil will provide an appropriate replacement for any *covered* part. An authorized representative of Vestil will contact you to discuss your claim.

What is not covered by the warranty?

The Warrantee (you) is responsible for paying labor costs and freight costs to return the product to Vestil for warranty service.

Events that automatically void this Limited Warranty.

- Misuse;
- Negligent assembly, installation, operation or repair;
- Installation/use in corrosive environments;
- Inadequate or improper maintenance;
- Damage sustained during shipping;
- Collisions or other accidents that damage the product;
- Unauthorized modifications: Do not modify the product IN ANY WAY without first receiving written authorization from Vestil.

Do any other warranties apply to the product?

Vestil Manufacturing Corp. makes no other express warranties. All implied warranties are disclaimed to the extent allowed by law. Any implied warranty not disclaimed is limited in scope to the terms of this Limited Warranty. Vestil makes no warranty or representation that this product complies with any state or local design, performance, or safety code or standard. Noncompliance with any such code or standard is not a defect in material or workmanship.

